

SupIR 25-225mm f/1.5, Motorized Continuous Zoom 680157

HD
FORMAT

WFOV(25mm)

HFOV	320x240	640x480	1024x768	1280x1024
17μ	12.5°	25.2°	41.1°	
12μ	8.8°	17.7°	28.6°	35.9°

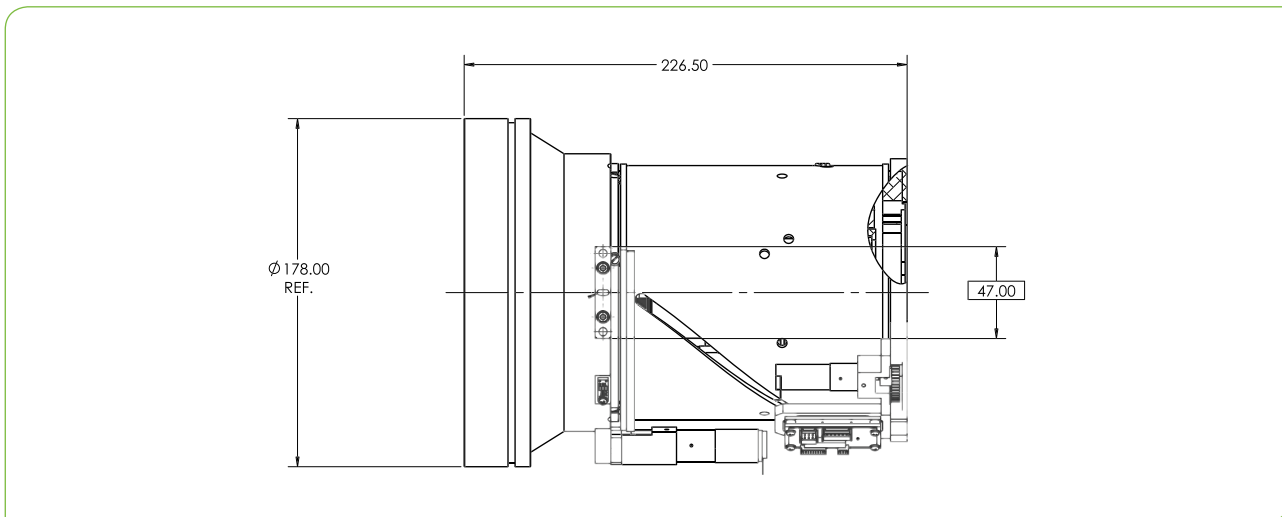
NFOV(225mm)

HFOV	320x240	640x480	1024x768	1280x1024
17μ	1.4°	2.8°	4.4°	
12μ	1.0°	1.9°	3.1°	3.9°



LWIR | ZOOM

Property	Value	
Optical	WFOV	NFOV
Focal Length	25mm	225mm
F#	1.5	
Average transmission (8-12μm)	88% (HD) / 82% (HC)	
Back Focal Length	30.743mm in air	
Minimum Focus Range	1m	>20m
Nuc (by defocus)	Yes	
Mechanical		
Focus Mechanism	Motorized	
Focus Time (minimum range to ∞)	≤3 sec.	
Zoom Mechanism	Motorized	
Zoom Time (NFOV to WFOV)	≤8 sec. (continuous zoom mode) ≤5 sec. (multi-field of view mode)	
Weight	4.3kg	
Max. Dimensions	Ø178mm x 226.5mm	



LWIR | ZOOM

Property		Value				
Electrical						
Lens Control		Designated lens controller				
Supply Voltage		12V				
Current Consumption		0.5A average, 3.5A peak				
Communication Protocol		RS422				
Environmental						
Operation Temperature		-32°C to +70°C				
Storage Temperature		-54°C to +85°C				
Sealing		IP 67 front element only				
Configurations	Weight (gr)	Dimensions	BWD**	Interface	Coating	
680157-004					HD	
680157-005	4277	Ø178mm x 226.5mm	14.36	3x Ø4.2 (for M4x0.7); 4x Ø3.15 (for M3x0.5)	HC	
680157-006					LRHC	

* The ICD drawing provided here is primarily a representation and may not accurately reflect the product's actual dimensions and specifications. For precise integration specifications contact your local sales representative.

** The BWD value is calculated for a unique detector setup with varying sealing windows in terms of thickness and material. For more details, contact your local sales representative.